

## Optoelectronics Components Data Sheet

### ■ DE-0494

1310nm, 150mW FP Laser Diode Coaxial Module for OTDR

#### **Description**

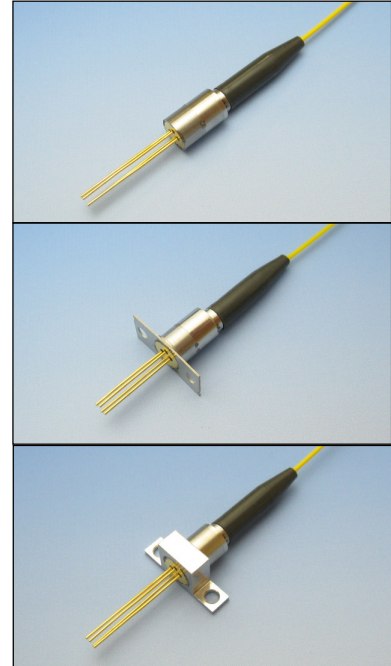
DE-0494 is 1310nm high-power pulse drive laser diode (LD) modules of coaxial pigtail type. This module consists of a multi quantum well Fabry Perot (MQW FP) LD, a monitor photo diode (PD), a single-mode fiber and a coaxial package. This module is suitable for OTDR applications.

#### **Features**

- ◆ Fiber output power : 150mW Min. (Pulse drive)
- ◆ MQW FP LD structure
- ◆ Includes monitor PD
- ◆ Hermetically sealed LD device
- ◆ YAG laser spot welding for high reliability
- ◆ Coaxial package

#### **Applications**

- OTDR systems
- Optical measuring instruments



### **Absolute Maximum Ratings**

(Tc=25°C, unless otherwise specified)

Parameter	Symbol	Ratings	Unit	Conditions
Peak fiber output power	Pf	170	mW	(*1)
LD reverse voltage	V <sub>RL</sub>	2	V	(*1)
LD forward current	I <sub>f</sub>	1000	mA	(*1)
Monitor PD Reverse voltage	V <sub>RP</sub>	15	V	---
Monitor PD Forward current	I <sub>FP</sub>	10	mA	---
Monitor PD Reverse current	I <sub>RP</sub>	5	mA	---
Storage temperature	T <sub>stg</sub>	-40 ~ +85	°C	---
Operating temperature	T <sub>c</sub>	-20 ~ +60	°C	---
Soldering temperature	T <sub>s</sub>	260	°C	10sec, >2mm

Note : (\*1) Pulse driving conditions ; 10μsec pulse width and 1% duty

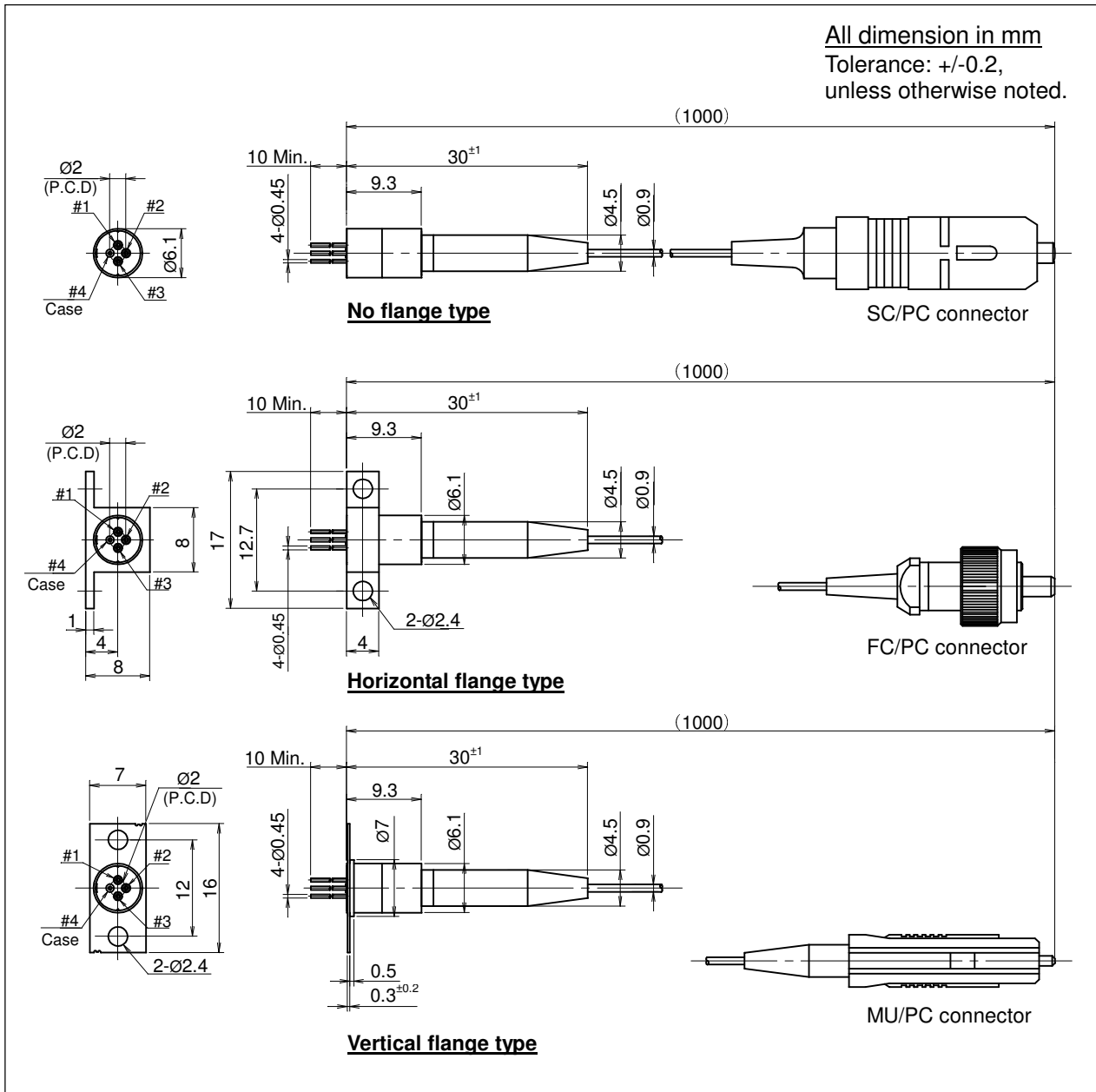
### **Electrical and Optical Characteristics**

(Tc=25°C, unless otherwise specified)

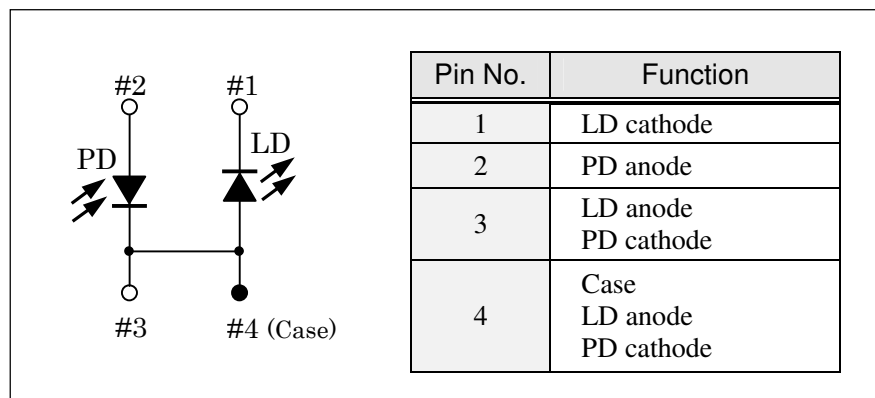
Parameter	Symbol	Conditions	Min.	Typ.	Max.	Unit
Fiber output power	Pf	I <sub>op</sub> =800mA (peak), (*2)	150	---	---	mW
Threshold current	I <sub>th</sub>	(*2)	---	25	60	mA
Operation current	I <sub>op</sub>	Pf=150mW, (*2)	---	650	800	mA
Operation voltage	V <sub>op</sub>	Pf=150mW, (*2)	---	---	3	V
Center wavelength	λ <sub>c</sub>	Pf=150mW, RMS, (*2)	1295	1310	1320	nm
Spectrum width	Δλ	Pf=150mW, RMS σ, -20dB, (*2)	---	---	10	nm
Monitor PD output current	I <sub>m</sub>	V <sub>RP</sub> =5V, Pf=5mW, CW	15	---	---	μA
Monitor PD dark current	I <sub>d</sub>	V <sub>RP</sub> =5V	---	---	50	nA
Tracking Error	TE	CW, I <sub>m</sub> (@Tc=25°C) =constant	-1	---	1	dB

Note : (\*2) Pulse driving conditions ; 10μsec pulse width and 1% duty

## Outline Drawings



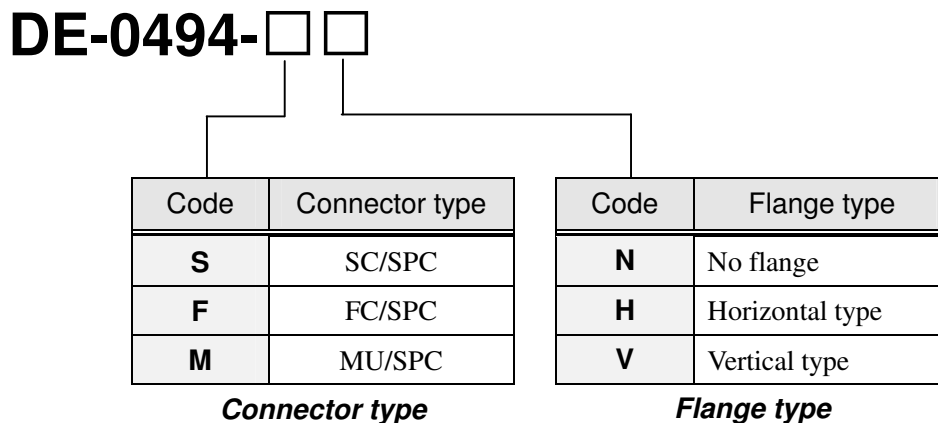
## Pin configuration



### Optical Fiber Characteristics

Parameter	Min.	Typ.	Max.	Unit
Fiber type	Single mode			---
Mode field diameter	8	9	10	μm
Clad diameter	123	125	127	μm
Concentricity error	---	---	1	μm
Cladding non-circularity	---	---	2	%
Mode field non-circularity	---	---	6	%
Cut off wavelength	1270	---	---	nm
Jacket diameter	0.8	0.9	1	mm
Bending Radius	20	---	---	mm
Tensile strength fiber case	5	---	---	N
Length	---	(1000)	---	mm
Connector	FC type / SPC			
	SC type / SPC			
	MU type / SPC			

### Ordering information



## OPTOHUB Co., Ltd.

305 Live Tower Musashi Urawa  
 7-6-8 Bessho, Minami-ku, Saitama-shi  
 Saitama, 336-0021 JAPAN

URL : <http://www.optohub.com>  
 E-mail : [info@optohub.com](mailto:info@optohub.com)  
 TEL : +81-48-844-8899  
 FAX : +81-48-844-8902