

Polarization Extinction Ratio Testing Module

The product is designed so that only polarizer cassettes of the Cartridge Series can be used for simplifying the measurement of polarization extinction ratio.

Extinction ratios can be tested by connecting optical components with connectors to the one-sided receptacle side and rotating the polarizers.

Features

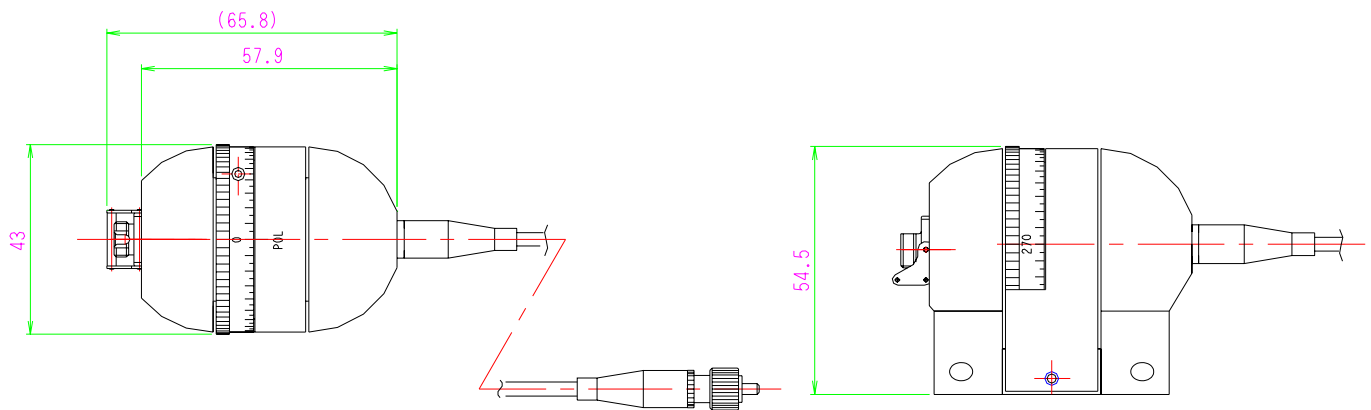
- Low insertion loss
- Broadband
- FC/SC inter-exchangeable adapters
- MU and LC can be adapted optionally
- Small-sized for space conservation



Typical Specifications

Model	PCUE
Wavelength	1550 nm or 1310 nm
Insertion Loss	≤ 1.5 dB
Extinction Ratio	≥ 35 dB *Polarizer Cassette
Optical Fiber	MMF ($\phi 3$ mm PVC cord)
Optical Connector	FC/SPC or SC/SPC
Receptacle Adapter	SC/FC Inter-Exchangeable Type Adapter

Product Dimensions



Ordering Instructions

+Polarization Extinction Ratio Testing Module

Order format: **PCUE - (1) - M / (2) - (3) [(1)P]**

Order format example: PCUE-15-M/F-FS[15P]

(1) Wavelength	15: 1550 nm 13: 1310 nm
Optical Fiber	M: MMF
(2) Optical Connector	F: FC/SPC S: SC/SPC
(3) Receptacle Adapter	FS: FC/SC (Inter-exchangeable type adapters) 4C: FC/SC/MU/LC (Inter-exchangeable type adapters) *4C type is option
Cassette	P: Polarizer